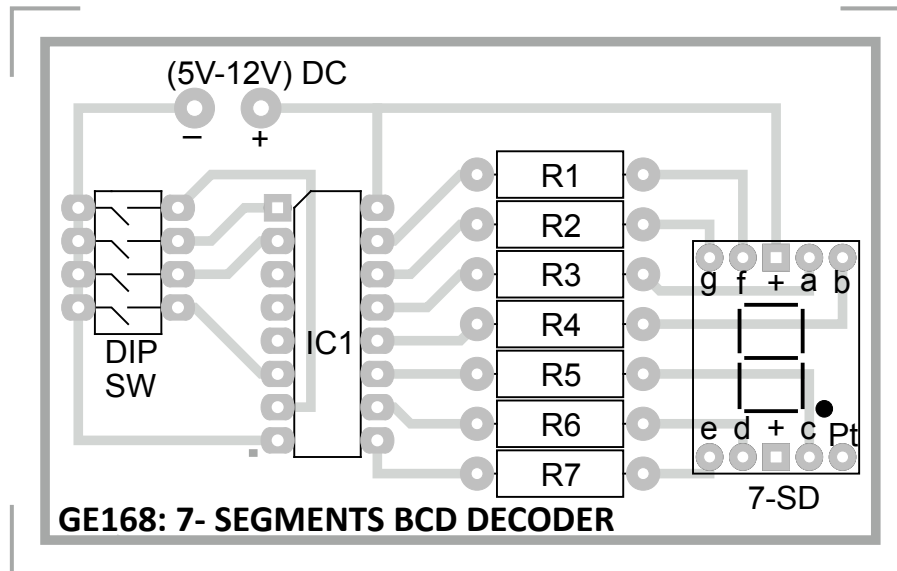
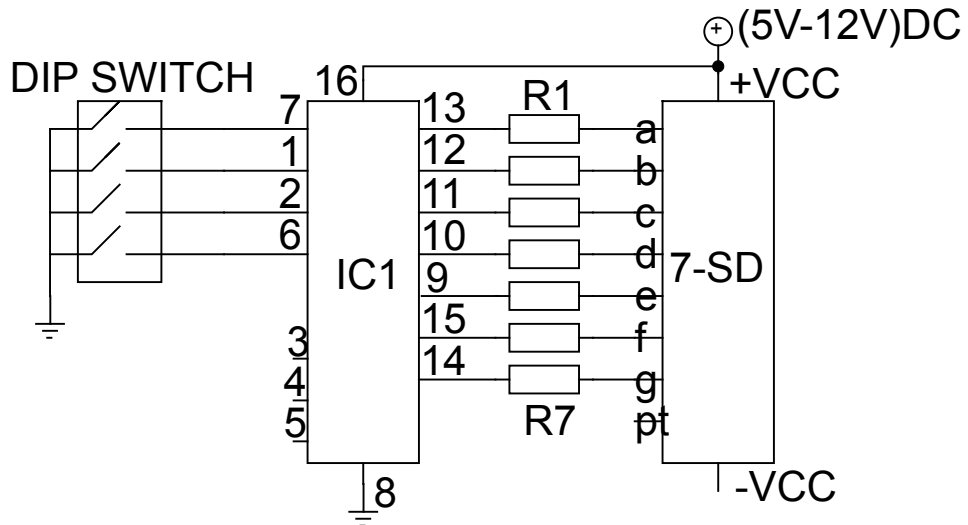


# 7-SEGMENT BCD DECODER

GE 168



### Bill of materials:

- \* 7-SD : (7-SEGMENT DISPLAY C.A)
- \* R1-R7: 220 ohm (RED-RED-BROWN)
- \* IC1 : 7447 (DECODER)
- \* IC SUPPORT(16 PINS)
- \* DIP SWITCH (4 SW)
- \* SCREW JUNCTION